

## Residential Atmospheric Vent Gas Water Heater



Photo is of  
RG240T6N

### FEATURING:



### The Atmospheric Vent FVIR Defender Safety System<sup>®</sup> Models Feature:

- **Bradford White ICON System<sup>™</sup>\***—Intelligent gas control with proven millivolt powered technology and built-in piezo igniter. A standard, off the shelf thermopile converts heat energy from the pilot flame into electrical energy to operate the gas valve and microprocessor. No need for external electricity.
  - **Enhanced Performance**—Proprietary algorithms provide enhanced First Hour Rating and tighter temperature differential.
  - **Advanced Temperature Control System**—Microprocessor constantly monitors and controls burner operation to maintain consistent and accurate water temperature levels.
  - **Intelligent Diagnostics**—An exclusive green LED light prompts the installer during start-up and provides ten different diagnostic codes to assist in troubleshooting.
  - **Pilot On Indication**—Flashing green LED provides positive indication that pilot is on.
  - **Separate Immersed Thermowell**—High-strength advanced polymer composite thermowell provides isolation between electric temperature sensor and surrounding water. No need to drain the tank when removing gas valve.
- **Advanced ScreenLok<sup>®</sup> Technology Flame Arrestor Design**—Flame arrestor is designed to prevent ignition of flammable vapor outside of the water heater.
- **Resettable Thermal Switch**—Proven and reliable bimetallic switch prevents burner and pilot operation in case of ongoing flammable vapor burn inside of the combustion chamber or restricted air flow.
- **Maintenance-Free**—No regular cleaning of air inlet openings or flame arrestor is required under normal conditions.
- **Sight Window**—Offers a view into the combustion chamber to observe the operation of the pilot and burner.
- **Factory-Installed Hydrojet<sup>®</sup> Total Performance System**—Sediment reducing device that also increases first hour delivery of hot water while minimizing temperature build-up in tank.
- **Vitraglas<sup>®</sup> Lining**—An exclusively engineered enamel formula that provides superior tank protection from the highly corrosive effects of hot water. This formula (Vitraglas<sup>®</sup>) is fused to the steel surface by firing at a temperature of over 1600°F (871°C).
- **Insulation System**—Non-CFC foam covers the sides and top of the tank, reducing heat loss. This results in less energy consumption, improved efficiencies, and jacket rigidity.
- **Pedestal Base.**
- **Water Connections**—3/4" NPT factory installed true dielectric fittings.
- **Factory-Installed Heat Traps.**
- **Protective Magnesium Anode Rod.**
- **3x4 "Snap Lock" Draft Diverter**—Allows either 3" or 4" vent connections with inputs of 40,000 BTU/Hr. or less. Over 40,000 BTU/Hr. has the 4" "Snap Lock" Draft Diverter.
- **T&P Relief Valve**—Installed.
- **Low Restrictive Brass Drain Valve**—Durable tamper proof design.
- **NOx Emissions – Less than 40 ng/J.**

\*May vary by region

### 6 or 10-Year Limited Tank Warranties / 6 or 10-Year Limited Warranty on Component Parts.

For more information on warranty, please visit [www.bradfordwhite.com](http://www.bradfordwhite.com)

For products installed in USA, Canada and Puerto Rico. Some states do not allow limitations on warranties. See complete copy of the warranty included with the heater.

# Residential Atmospheric Vent Gas Water Heater

## Atmospheric Vent Models

Meet or exceed ASHRAE 90.1b (current standard) C.E.C. Listed  
Recovery efficiency ranging up to 80%

NATURAL GAS AND LIQUID PROPANE GAS

Model Number	Nominal Capacity		DOE Rated Storage Volume (Gal.)	Nat. BTU/Hr. Input	LP BTU/Hr. Input	First Hour Rating (Gal.)	Uniform Energy Factor	Recovery 90°F Rise*				A Floor to Flue Conn. in.	B Jacket Dia. in.	C Vent Size in.	D Floor to T&P Conn. in.	E Floor to Gas Conn. in.	F Floor to Water Conn. in.	G Floor to Top of Heater in.	H Depth in.	Approx. Shipping Weight lbs.
	U.S. Gal.	Imp. Gal.						Nat. U.S. GPH	LP U.S. GPH	LP Imp. GPH										
RG130T6N	30	25	28	27,000	27,000	53	0.60	29	24	29	24	59 <sup>15</sup> / <sub>16</sub>	16	3X4	49 <sup>3</sup> / <sub>4</sub> / 56 <sup>3</sup> / <sub>8</sub>	12 <sup>11</sup> / <sub>16</sub>	57 <sup>1</sup> / <sub>16</sub>	56 <sup>3</sup> / <sub>8</sub>	19 <sup>1</sup> / <sub>2</sub>	109
RG230T6N	30	25	28	32,000	31,000	59	0.61	34	28	33	23	59 <sup>15</sup> / <sub>16</sub>	18	3X4	49 <sup>7</sup> / <sub>8</sub> / 56 <sup>3</sup> / <sub>8</sub>	12 <sup>11</sup> / <sub>16</sub>	57 <sup>1</sup> / <sub>16</sub>	56 <sup>3</sup> / <sub>8</sub>	21 <sup>1</sup> / <sub>2</sub>	116
RG230S6N	30	25	28	30,000	32,000	57	0.60	32	37	32	27	49 <sup>1</sup> / <sub>4</sub>	20	3X4	38 <sup>5</sup> / <sub>8</sub>	12 <sup>11</sup> / <sub>16</sub>	46 <sup>1</sup> / <sub>2</sub>	45 <sup>11</sup> / <sub>16</sub>	23 <sup>1</sup> / <sub>2</sub>	113
RG140T6N	40	33	38	34,000	34,000	69	0.59	37	31	37	31	61 <sup>1</sup> / <sub>2</sub>	18	3X4	51 <sup>1</sup> / <sub>2</sub> / 60	12 <sup>11</sup> / <sub>16</sub>	59 <sup>1</sup> / <sub>4</sub>	57 <sup>15</sup> / <sub>16</sub>	21 <sup>1</sup> / <sub>2</sub>	132
RG240T6N	40	33	38	40,000	36,000	74	0.59	43	36	34	33	60 <sup>9</sup> / <sub>16</sub>	20	3X4	50 <sup>1</sup> / <sub>8</sub> / 56 <sup>5</sup> / <sub>8</sub>	12 <sup>11</sup> / <sub>16</sub>	57 <sup>9</sup> / <sub>16</sub>	56 <sup>3</sup> / <sub>4</sub>	23 <sup>1</sup> / <sub>2</sub>	134
RG240S6N	40	33	38	40,000	35,000	73	0.59	43	36	41	34	51 <sup>3</sup> / <sub>4</sub>	22	3X4	41 / 47 <sup>1</sup> / <sub>4</sub>	12 <sup>11</sup> / <sub>16</sub>	49 <sup>3</sup> / <sub>16</sub>	48 <sup>3</sup> / <sub>16</sub>	25 <sup>1</sup> / <sub>2</sub>	139
RG150T6N	50	42	47	34,000	34,000	80	0.63	37	31	37	31	60 <sup>5</sup> / <sub>16</sub>	20	3X4	50 / 56 <sup>3</sup> / <sub>8</sub>	12 <sup>11</sup> / <sub>16</sub>	57 <sup>5</sup> / <sub>8</sub>	56 <sup>3</sup> / <sub>4</sub>	23 <sup>1</sup> / <sub>2</sub>	150
RG250T6N	50	42	48	40,000	35,000	86	0.65	43	36	41	34	60 <sup>5</sup> / <sub>16</sub>	22	3X4	49 <sup>7</sup> / <sub>8</sub> / 57	12 <sup>11</sup> / <sub>16</sub>	57 <sup>7</sup> / <sub>8</sub>	56 <sup>3</sup> / <sub>4</sub>	25 <sup>1</sup> / <sub>2</sub>	154
RG250L6N	48	40	47	40,000	35,000	85	0.63	43	36	41	34	51 <sup>13</sup> / <sub>16</sub>	24	3X4	40 <sup>5</sup> / <sub>8</sub>	12 <sup>11</sup> / <sub>16</sub>	49 <sup>3</sup> / <sub>8</sub>	48 <sup>3</sup> / <sub>16</sub>	27 <sup>1</sup> / <sub>2</sub>	170
RG250S6N	50	42	47	50,000	48,000	89	0.63	54	45	52	45	60 <sup>3</sup> / <sub>8</sub>	22	4	49 <sup>7</sup> / <sub>8</sub> / 57	12 <sup>11</sup> / <sub>16</sub>	57 <sup>5</sup> / <sub>8</sub>	56 <sup>3</sup> / <sub>4</sub>	25 <sup>1</sup> / <sub>2</sub>	167

Model Number	Nominal Capacity		DOE Rated Storage Volume (Liters)	Nat. kW Input	LP kW Input	First Hour Rating (Liters)	Uniform Energy Factor	Recovery 50°C Rise*		A Floor to Flue Conn. mm.	B Jacket Dia. mm.	C Vent Size mm.	D Floor to T&P Conn. mm.	E Floor to Gas Conn. mm.	F Floor to Water Conn. mm.	G Floor to Top of Heater mm.	H Depth mm.	Approx. Shipping Weight kg.
	Liters							Nat. Liters/Hour	LP Liters/Hour									
RG130T6N	114	106	106	7.9	7.9	201	0.60	110	110	1522	406	76x102	1264 / 1432	322	1449	1432	495	49
RG230T6N	114	106	106	9.4	9.1	223	0.61	129	125	1522	457	76x102	1267 / 1432	322	1449	1432	546	53
RG230S6N	114	106	106	8.8	9.4	216	0.60	121	121	1251	508	76x102	982	322	1181	1160	597	51
RG140T6N	151	144	144	10.0	9.9	261	0.59	139	139	1562	457	76x102	1308 / 1524	322	1505	1472	546	60
RG240T6N	151	144	144	11.7	10.6	280	0.59	163	129	1532	508	76x102	1273 / 1438	322	1462	1441	597	61
RG240S6N	151	144	144	11.7	10.3	276	0.59	163	155	1314	559	76x102	1041 / 1200	322	1249	1224	648	63
RG150T6N	189	178	178	10.0	9.9	303	0.63	139	139	1532	508	76x102	1270 / 1432	322	1464	1441	597	68
RG250T6N	189	182	182	11.7	10.3	326	0.65	163	155	1532	559	76x102	1267 / 1448	322	1470	1441	648	77
RG250L6N	182	178	178	11.7	10.3	322	0.63	163	155	1316	610	76x102	1032	322	1254	1224	699	70
RG250S6N	189	178	178	14.7	14.1	337	0.63	204	197	1540	559	102	1267 / 1448	322	1464	1441	648	76

Propane models feature a Titanium Stainless Steel propane burner. For Propane (LP) models change suffix "N" to "X".

For 10 year models, change suffix from "6" to "10".

\*Based on manufacturer's rated recovery efficiency.

•Models feature optional top T&P location and must be specified when ordering.

Note: RG230S6N and RG250L6N do not have top T&P option.

Uniform Energy Factor and First Hour Rating is based on the latest AHRI directory listings.

### General:

#### Meets NAECA Requirements.

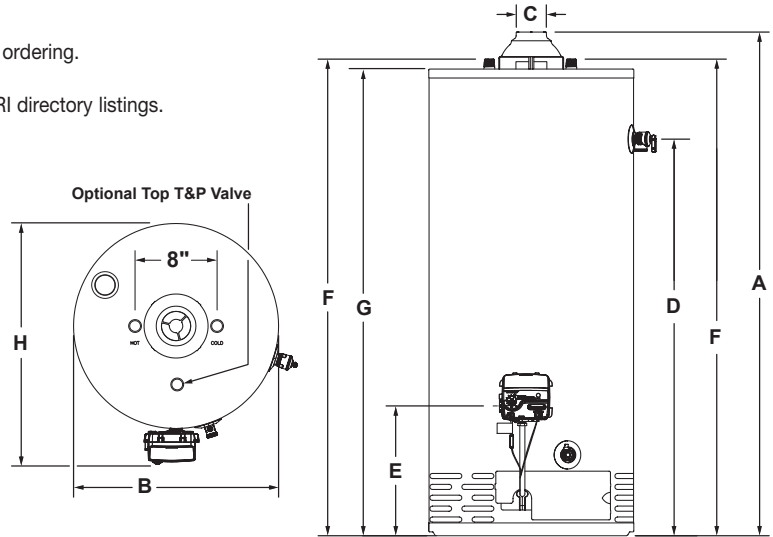
All gas water heaters are certified at 300 PSI test pressure (2068 kPa) and 150 PSI working pressure (1034 kPa). All water connections are 3/8" NPT (19mm) on 8" (203mm) centers. All gas connections are 1/2" (13mm).

All models design-certified by CSA International (formerly AGA/CGA), ANSI standard Z-21.10.1 and peak performance rated.

**Dimensions and specifications subject to change without notice in accordance with our policy of continuous product improvement.**

#### Suitable for Water (Potable) Heating and Space Heating.

Toxic chemicals, such as those used for boiler treatment, shall NEVER be introduced into this system. This unit may NEVER be connected to any existing heating system or component(s) previously used with a non-potable water heating appliance.



Ambler, PA

For U.S. and Canada field service, contact your professional installer or local Bradford White sales representative.

Sales 800-523-2931 • Fax 215-641-1670 / Technical Support 800-334-3393 • Fax 269-795-1089 • Warranty 800-531-2111 • Fax 269-795-1089

International: Telephone 215-641-9400 • Telefax 215-641-9750 / www.bradfordwhite.com

**BRADFORD WHITE-CANADA INC.** Sales / Technical Support 866-690-0961 / 905-238-0100 • Fax 905-238-0105 / www.bradfordwhite.com

**Built to be the Best™**

©2017, Bradford White Corporation. All rights reserved.